

18 SERIES MOULDED CASE CURRENT TRANSFORMERS

DESCRIPTION

A range of compact low cost moulded case current transformers suitable for primary currents from 400A to 1600A with built in sealable terminal covers.

APPLICATION

For transforming various primary currents into 5A or 1A standard secondary using up to 60x15mm or 50x30mm busbars or cables up to 45mm diameter.



FEATURES

- Built in sealable terminal covers.
- Mounting feet supplied.
- Narrow width - 85mm.
- Wide range of primary current

TECHNICAL SPECIFICATION

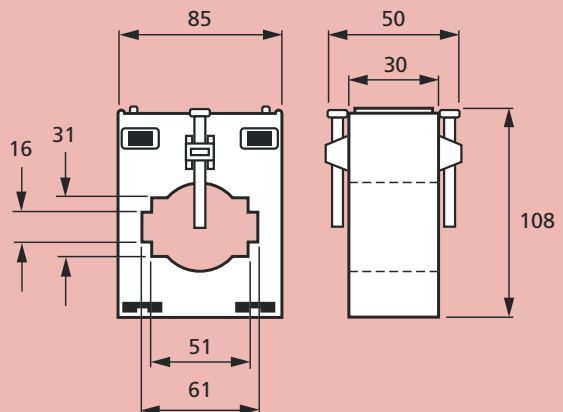
- Conforms to IEC185, BS 7626, BSEN 60044-1, IEC 60044-1 and IEC 61869-2.
- Rated system voltage 0.72/3kV.
- Ambient temperature range -5°C to +50°C.
- Continuous current 1.2 x rated current.

| RANGE | 5A Secondary | | | | | | | | | | | |
|-------|--------------|----|----|----|---------|----|----|----|-----------|-----|-----|-----|
| | Class 3 | | | | Class 1 | | | | Class 0.5 | | | |
| VA | 2.5 | 5 | 10 | 15 | 2.5 | 5 | 10 | 15 | 2.5 | 5 | 10 | 15 |
| 400A | A1 | A2 | A3 | - | A5 | A6 | A7 | - | A9 | A10 | - | - |
| 500A | B1 | B2 | B3 | - | B5 | B6 | B7 | - | B9 | B10 | - | - |
| 600A | C1 | C2 | C3 | - | C5 | C6 | C7 | - | C9 | C10 | C11 | - |
| 750A | D1 | D2 | D3 | - | D5 | D6 | D7 | - | D9 | D10 | D11 | - |
| 800A | E1 | E2 | E3 | - | E5 | E6 | E7 | - | E9 | E10 | E11 | - |
| 1000A | F1 | F2 | F3 | F4 | F5 | F6 | F7 | F8 | F9 | F10 | F11 | - |
| 1200A | G1 | G2 | G3 | G4 | G5 | G6 | G7 | G8 | G9 | G10 | G11 | G12 |
| 1250A | H1 | H2 | H3 | H4 | H5 | H6 | H7 | H8 | H9 | H10 | H11 | H12 |
| 1500A | J1 | J2 | J3 | J4 | J5 | J6 | J7 | J8 | J9 | J10 | J11 | J12 |
| 1600A | K1 | K2 | K3 | K4 | K5 | K6 | K7 | K8 | K9 | K10 | K11 | K12 |

1A secondary available by request.
Class 0.2S also available by request.

Order Example: A 18 series moulded case current transformer, with 5A secondary and 1000A primary 5VA class 1 is part number 18-5-F6

DIMENSIONS (mm)



Ø Internal Diameter 45mm
Busbar 60x15, 50x30mm

Our policy is one of continuous development and therefore specifications may change without notice.

HOWARD BUTLER LTD

CROWN WORKS, LINCOLN ROAD
WALSALL WS1 2EB ENGLAND

Tel: 01922 640003 Fax: 01922 723626
International Tel: +44 1922 640003 E-mail: sales@hobut.co.uk
<http://www.hobut.co.uk>