

# CURRENT TRANSFORMERS WITH 6.3mm FAST-ON TERMINALS

# HOBUT

## DESCRIPTION

A range of moulded case current transformers suitable for primary currents from 40A to 4000A complete with 6.3mm fast-on terminals

## APPLICATION

For transforming various primary currents into 5A standard secondary using various cable primaries. The 6.3mm fast-on terminals allows for fast assembly/connection.



## FEATURES

- Moulded case design.
- Fast connection using 6.3mm spade terminals.
- Large range of primary currents.
- Low cost.

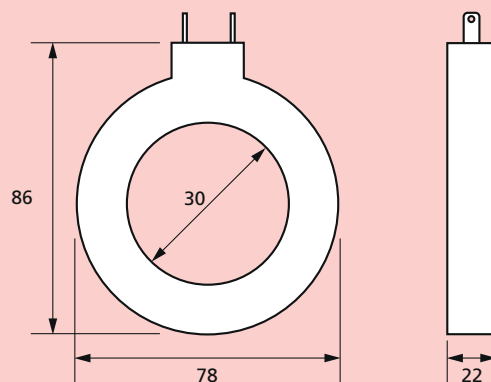
## TECHNICAL SPECIFICATION

- IEC 185, IEC 60044-1, BSEN 60044-1, IEC 61869-2 and ANSI.
- Rated system voltage 0.72/3kV.
- Ambient temperature range -5°C to +50°C.
- Continuous current 1.2 x rated current.
- Other ratios, accuracies and VA available by request.

### CTGM30

RATIO	VA & CLASS	ANSI EQUIVALENT
40/5	1.25VA CL3	2.4B0.05

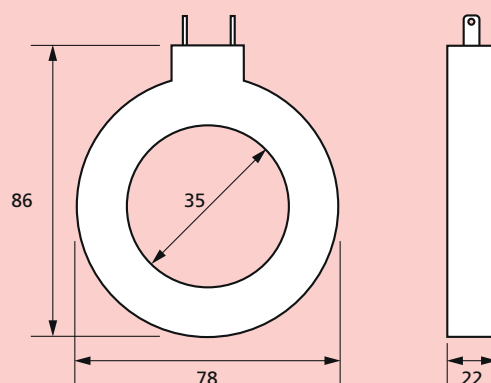
### DIMENSIONS (mm)



### CTGM35

RATIO	VA & CLASS	ANSI EQUIVALENT
60/5	1.5VA CL3	2.4B0.1
100/5	1.5VA CL3	2.4B0.1
150/5	2.5VA CL3	2.4B0.1
200/5	2.5VA CL3	2.4B0.1
250/5	2.5VA CL3	2.4B0.1
300/5	5VA CL3	2.4B0.2
400/5	5VA CL3	2.4B0.2

### DIMENSIONS (mm)



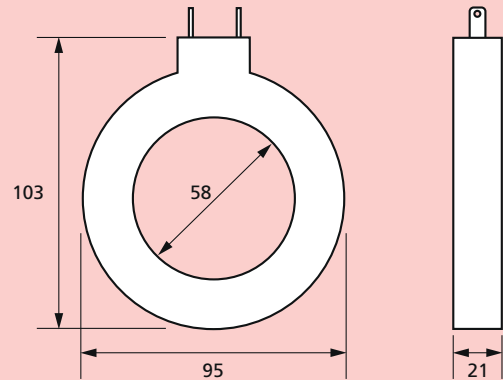
# CURRENT TRANSFORMERS WITH 6.3mm FAST-ON TERMINALS

# HOBUT

## CTGM58

RATIO	VA & CLASS	ANSI EQUIVALENT
500/5	5VA CL1	1.2B0.2
600/5	5VA CL1	1.2B0.2

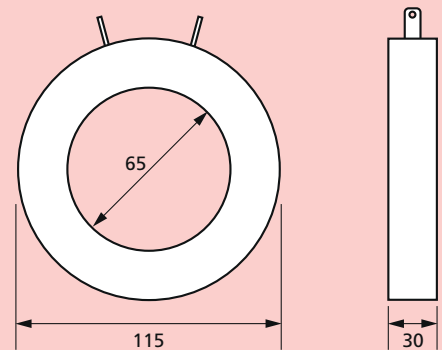
## DIMENSIONS (mm)



## CTICM

RATIO	VA & CLASS	ANSI EQUIVALENT
400/5	7.5VA CL1	1.2B0.3
600/5	7.5VA CL1	1.2B0.3
800/5	7.5VA CL1	1.2B0.3
1000/5	7.5VA CL1	1.2B0.3
1200/5	7.5VA CL1	1.2B0.3
1500/5	7.5VA CL1	1.2B0.3

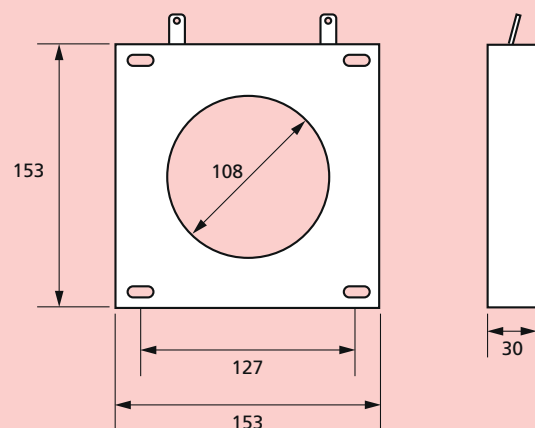
## DIMENSIONS (mm)



## CTIRM

RATIO	VA & CLASS	ANSI EQUIVALENT
1500/5	15VA CL1	1.2B0.5
2000/5	20VA CL1	1.2B0.8
2500/5	25VA CL1	1.2B1.0
3000/5	30VA CL1	1.2B1.2
3500/5	35VA CL1	1.2B1.4
4000/5	40VA CL1	1.2B1.6

## DIMENSIONS (mm)



Our policy is one of continuous development and therefore specifications may change without notice.

## HOWARD BUTLER LTD

CROWN WORKS, LINCOLN ROAD  
WALSALL WS1 2EB ENGLAND

Tel: 01922 640003 Fax: 01922 723626  
International Tel: +44 1922 640003 E-mail: sales@hobut.co.uk  
<http://www.hobut.co.uk>